



# VISTA INSERT LE

**WOOD INSERT**  
for small to medium spaces

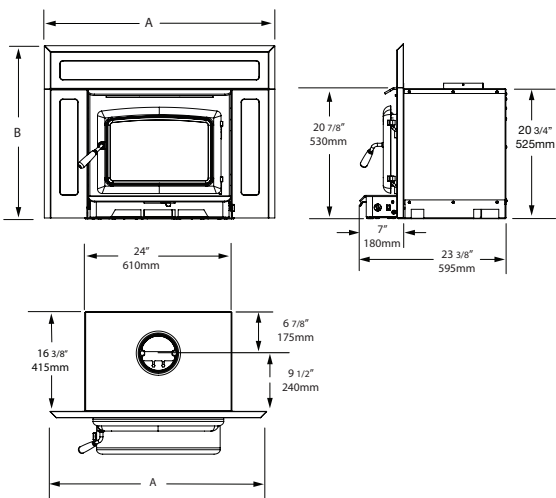
Heat Output Cord Wood

**56,000 BTU**

23,200 BTU EPA Test Fuel

Efficiency (HHV)	72%
Emissions	1.9 gm/hr.
Log Size (recommended)	16"
Log Size (max)	17"
Firebox Size	1.6 cu.ft.
Glass Viewing Area	145 sq.in.

For woodstove heating in smaller masonry or factory-built fireplaces, choose the Vista Insert LE. Designed to deliver efficient combustion and controlled heat, it raises the burn temperature while extending the burn time, providing more heat from less fuel. Like all Pacific Energy inserts it's easy to light, easy to use, and provides a clear view of the flame. With a variable speed fan, clean-glass airwash technology and heavy-gauge overbuilt construction, the Vista Insert LE will provide many years of comfort and enjoyment.



**CATALYTIC-FREE TECHNOLOGY**

MORE DURABLE

MORE RELIABLE

EASIER TO OPERATE

EPA 2020 CERTIFIED

**2**  
GRAMS PER HOUR OR LESS

**STANDARD FEATURES**

- EPA 2020 Certified
- Reliable, durable catalytic-free technology
- Air wash system for super clean ceramic glass
- High-tech multi-port combustion air injection system
- Inside and outside combustion air capable
- Floating firebox for extended stove life
- Rich Metallic Black finish
- 304 Stainless Steel Baffle, insulation cover, rails and flame shield
- Boost air for easy lighting
- Two 80 cfm temperature actuated variable speed blower/s
- Single-Lever Air Control
- Removable flue collar for ease of installation
- East-West loading

**DESIGN OPTIONS**

- Arched door: choice of three finishes
- Embossed Surround, Standard Size (37" x 28")
- Embossed Surround, Oversize (42" x 30")

**AIR WASH**  
A SYSTEM BY PACIFIC ENERGY

**BAFFLE SYSTEM**

**FLOATING FIREBOX**

**KNIFE EDGE DOOR**

**SINGLE LEVER**  
AIR CONTROL

For reference only. Installations should be based on installation manuals. Specifications subject to change.