

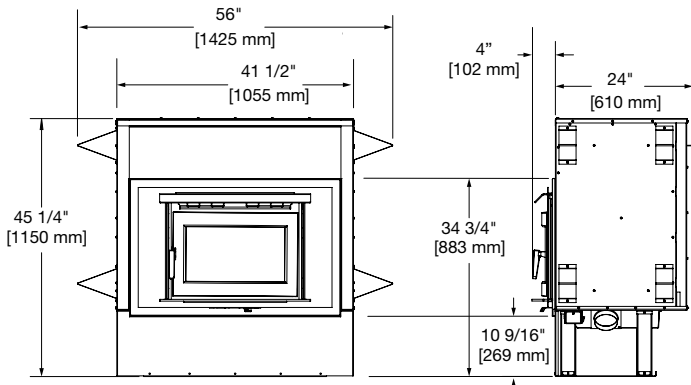


FP25 Arch LE

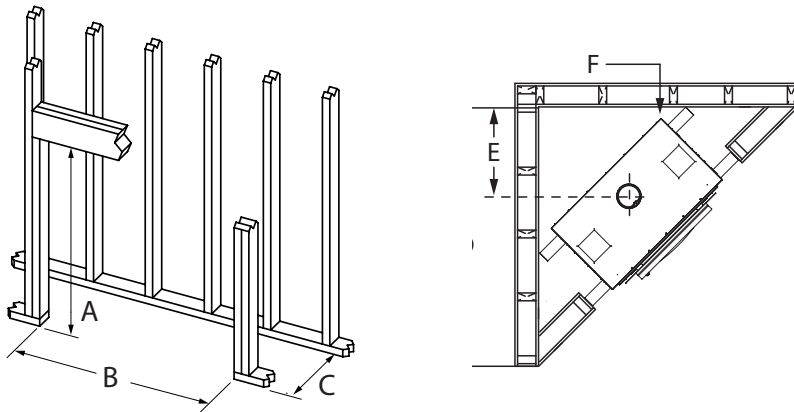
FOR MEDIUM TO LARGE SPACES



UNIT DIMENSIONS



FRAMING DIMENSIONS



A	62"
B	56 1/2"
C	24"
D	68 3/8"
E	23 7/8"
F	3 1/8"

TECHNICAL DATA

85,000 BTU Heat Output Cord Wood
51,500 BTU EPA Test Fuel

Efficiency (HHV)	72%
Emissions	1.4 gm/hr.
Log Size (recommended)	16"
Log Size (max)	18"
Firebox Size	2.1 cu.ft.
Glass Viewing Area	184 sq.in.
Weight	610 lb.

CLEARANCES

Minimum distance to the underside of the Mantel (max 12" deep) from the top of the Heat Exchanger Air Deflector.	16" (406mm)
Minimum distance to the adjacent wall from the side of the fireplace door.	22" (560mm)
Minimum distance to the Mantel side facing (max 4" deep) from the side of the fireplace door.	11 1/2" (292mm)
Minimum width of floor protection from side of door opening.	8" (200mm)
Minimum depth of non-combustible ember protector: from the front of the fireplace.	16 1/2" (420mm)