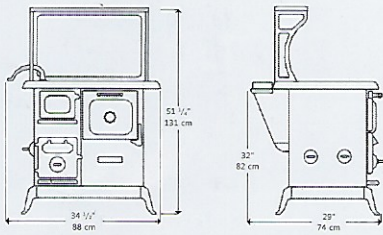


Technical Specifications

Blackwood



Black

Model: 2612

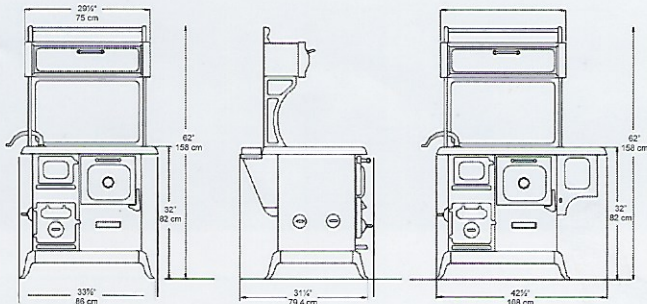
Weight: 413 lbs

- Weight: 413 lbs
- Flue size: 6"
- Cooking surface dimensions: 29 1/2" x 21"
- Oven size: 1.7 cu. ft.
- Heating capacity: 35,000 btu/hr
- Heat output: 800 to 1,500 sq. ft.
- Ideal wood length: 16"
- Ash pan on sliding track. Top or front fuel loading.
- Installation: Woodburning stoves require strict adherence to clearance requirements and venting considerations.

Additional Options:

- The coal grate package must be ordered for coal burning. (Part #S4500)
- A fresh air kit may be ordered for intake of outside combustion air. (Part #S1017)
- A water jacket may be ordered for domestic hot water heating. (Part #S4506)
- Heat shield kit is available to reduce clearances. (Part #S4241)
- Summer Grate Stand (Part #S4271)

Sweet Heart



2602

2603



Black



White



Ivory

Model: 2602 (no reservoir) 2603 (reservoir)

Weight: 432 lbs

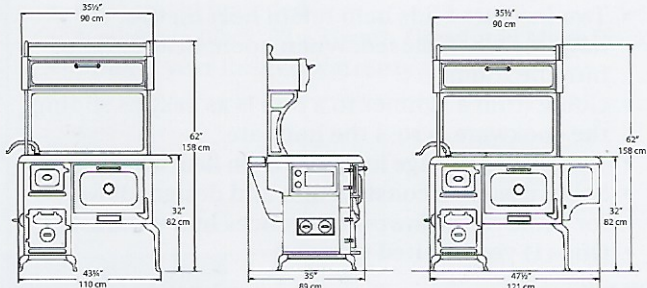
475 lbs

- Flue size: 6"
- Cooking surface dimensions: 29 1/2" x 21"
- Oven size: 1.7 cu. ft.
- Heating capacity: 35,000 btu/hr
- Heat output: 800 to 1,500 sq. ft.
- Ideal wood length: 16"
- Available with or without 5-gallon copper water reservoir with spigot, which provides hot water for dishes, humidifying, canning, etc.
- Ash pan on sliding track. Top or front fuel loading.
- Installation: Woodburning cookstoves require strict adherence to clearance requirements and venting considerations. Consult your dealer for complete installation advice.

Additional Options:

- The coal grate package must be ordered for coal burning. (Part #S4500)
- A fresh air kit may be ordered for intake of outside combustion air. (Part #S1017)
- A water jacket may be ordered for domestic hot water heating. (Part #S4506)
- Heat shield kit is available to reduce clearances. (Part #S4241)
- Summer Grate Stand. (Part #S4271)

Oval



1902

1903



Black



White



Ivory

Model: 1902 (no reservoir) 1903 (reservoir)

Weight: 602 lbs

640 lbs

- Flue size: 6"
- Cooking surface dimensions: 35 1/4" x 25 3/4"
- Oven size: 2.4 cu. ft.
- Heating capacity: 50,000 btu/hr
- Heat output: 1,200 to 1,800 sq. ft.
- Ideal wood length: 16"
- Available with or without 5-gallon copper water reservoir with spigot, which provides hot water for dishes, humidifying, canning, etc.
- Ash pan on sliding track. Top or front fuel loading.
- Installation: Woodburning cookstoves require strict adherence to clearance requirements and venting considerations. Consult your dealer for complete installation advice.

Additional Options:

- The coal grate package must be ordered for coal burning. (Part #S4500)
- A fresh air kit may be ordered for intake of outside combustion air. (Part #S1017)
- A water jacket may be ordered for domestic hot water heating. (Part #S4506)
- Heat shield kit is available to reduce clearances. (Part #S4241)